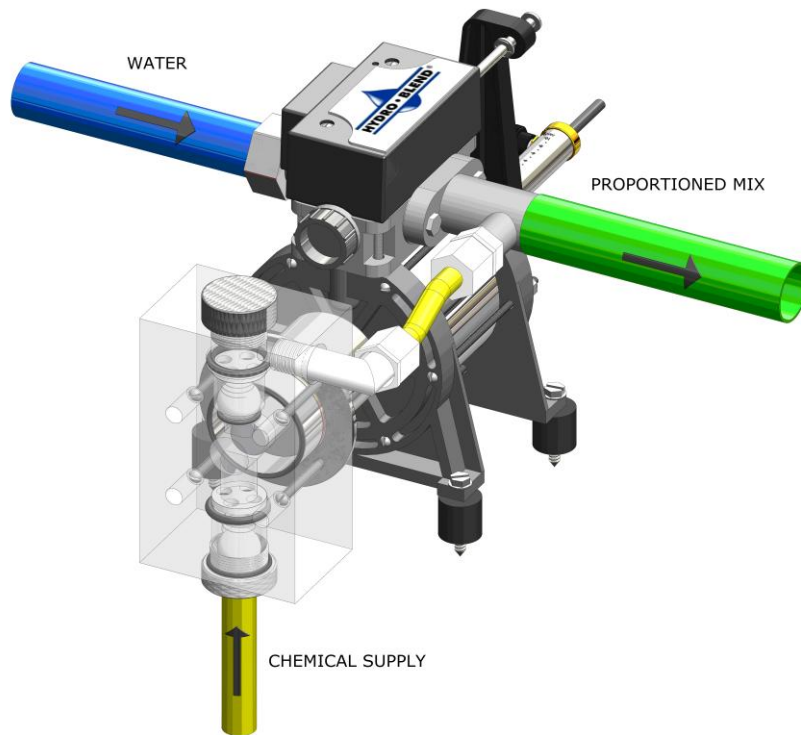


HYDRO-MIX -ML

How it Works



Pressurized water drives a reciprocating piston in the water motor cylinder. This piston drives the chemical concentrate-metering piston that draws concentrate from the drum and injects it into the water from the water cylinder.

Our exclusive metering principle assures consistent proportioning irrespective of fluctuations in water flow. In most applications, the deviation is less than 1%.

An adjustable, graduated scale indicates the proportional settings in linear form. Once set, the process can be easily duplicated in future operations.

Our patented water diversion valve block and chemical pump head insure consistent dilutions even at the lowest water flows.

HYDRO-MIX -ML

Hydro-mix-ml Materials of Construction

Due to the fact that all Hydro-ml units are application specific, they are all built to order. Heavy duty components and the ability to customize to customer requirements assure a long and trouble free pump life.

All Hydro-ml units are configured with a SST Valve Block, Water Motor and Outlet Fitting and Chemical Cylinder.

Here are a few of our alternative material options:

Pump Head Materials: “A” – Acrylic (standard)
“PVC” – Polyvinylchloride
“HDPE” – High Density Polyethylene
“Kynar/PVDF” – Peracetic Acid

Seal Combinations: “V” – Viton (standard)
“E” – EPDM
“TFE” – Teflofluoroethylene (chemically resistant)
“TTE” – Lactic Acid
“FS” – Fountain Solution (Graphic Arts)
“PA” – Peracetic Acid

Chemical Cylinder: Stainless Steel – Standard
316 Stainless Steel – Chemically Resistant
Hastelloy – Chemically Resistant

Additional Options: “DMAC” – Hot Water Specific Delrin Machined Endplates
“SI” – Single Injection
“DI” – Dual Injection
“TI” – Triple Injection

Included Accessories: Mounting Feet, Suction Hose, Weighted Strainer/Foot Valve, Operating Manual, Mounting Instructions.

HYDRO-MIX -ML

Hydroblend 7 GPM Product Line

Model	Max Oz.	Ratio	%	Flow (GPM)	Flow (Liters)	Pressure	Inlet/Outlet
6005	0.5oz	1:256 to 1:2,500	0.35% to 0.04%	5 GPH to 7 GPM	18 LPH to 26 LPM	10-75 PSI / 0.6-5 bar	3/4" Garden Hose
6010	1oz	1:128 to 1:1,200	0.75% to 0.08%	5 GPH to 7 GPM	18 LPH to 26 LPM	10-75 PSI / 0.6-5 bar	3/4" Garden Hose
6015	1.5oz	1:85 to 1:850	1.15% to 0.12%	5 GPH to 7 GPM	18 LPH to 26 LPM	10-75 PSI / 0.6-5 bar	3/4" Garden Hose
6020	2oz	1:64 to 1:640	1.5% to 0.15%	5 GPH to 7 GPM	18 LPH to 26 LPM	10-75 PSI / 0.6-5 bar	3/4" Garden Hose
6040	4oz	1:32 to 1:320	3.00% to 0.30%	5 GPH to 7 GPM	18 LPH to 26 LPM	10-75 PSI / 0.6-5 bar	3/4" Garden Hose
6080	8oz	1:16 to 1:160	5.80% to 0.60%	5 GPH to 7 GPM	18 LPH to 26 LPM	10-75 PSI / 0.6-5 bar	3/4" Garden Hose
6100	10oz	1:12 to 1:120	7.20% to 0.80%	5 GPH to 7 GPM	18 LPH to 26 LPM	10-75 PSI / 0.6-5 bar	3/4" Garden Hose
6120	12oz	1:10 to 1:100	8.50% to 0.95%	5 GPH to 7 GPM	18 LPH to 26 LPM	10-75 PSI / 0.6-5 bar	3/4" Garden Hose
6160	16oz	1:8 to 1:80	11.00% to 1.00%	5 GPH to 7 GPM	18 LPH to 26 LPM	10-75 PSI / 0.6-5 bar	3/4" Garden Hose
6180	18oz	1:7 to 1:70	12.30% to 1.40%	5 GPH to 7 GPM	18 LPH to 26 LPM	10-75 PSI / 0.6-5 bar	3/4" Garden Hose
6200	20oz	1:6 to 1:60	13.50% to 1.60%	5 GPH to 7 GPM	18 LPH to 26 LPM	10-75 PSI / 0.6-5 bar	3/4" Garden Hose
6260	26oz	1:5 to 1:50	16.80% to 1.90%	5 GPH to 7 GPM	18 LPH to 26 LPM	10-75 PSI / 0.6-5 bar	3/4" Garden Hose
6320	32oz	1:4 to 1:40	20.00% to 2.40%	5 GPH to 7 GPM	18 LPH to 26 LPM	10-75 PSI / 0.6-5 bar	3/4" Garden Hose
6470	47oz	1:3 to 1:30	26.80% to 3.20%	5 GPH to 7 GPM	18 LPH to 26 LPM	10-75 PSI / 0.6-5 bar	3/4" Garden Hose
6850	85oz	1:1.5 to 1:15	35.00% to 4.70%	5 GPH to 7 GPM	18 LPH to 26 LPM	10-75 PSI / 0.6-5 bar	3/4" Garden Hose

- (1) The first section of the model number denotes the "6000" series pump and the maximum ounces injected per gallon of water.
 (2) The next section denotes the material used in the pump head (i.e. "A" stands for an Acrylic pump head).
 (3) The final section denotes the seal package used in the pump (i.e. "V" stands for Viton seals).

Alternative Pump Head Materials: "A" - Acrylic (standard)
 "PVC" - Polyvinylchloride
 "HDPE" - High Density Polyethylene
 "K" - Kynar/PVDF

Alternative Seal Combinations: "V" - Viton (standard)
 "E" - EPDM
 "TFE" - Teflofluoroethylene
 "TTE" - Teflofluoroethylene
 "FS" - Fountain Solution
 "PA" - Peracetic Acid

Alternative Chemical Cylinder: 316 SST
 Hastelloy C

Additional Options: "DMAC" - Hot Water Specific Delrin Machined Endplates
 "DI" - Dual Injection
 "TI" - Triple Injection
 "NPT" - National Pipe Thread Adapters

Included Accessories: Mounting Feet, Suction Hose, Weighted Strainer/Footvalve, Operating Manual

HYDRO-MIX -ML



Model #: 6005

Inlet/Outlet Connections:	¾" Garden Hose (Inlet & Outlet)
Weight:	10lbs / 4kg
Dimensions:	13" x 6" x 7" / 33cm x 15cm x 17cm
Shipping Box Dimensions:	16" x 10" x 9" / 40cm x 25cm x 22cm
Max Output:	7 GPM / 26 LPM
Min Output:	5 GPH / 18 LPH
Pressure Range:	10-75 psi / 0.6-5 bar
Max Dilution:	(0.5oz/gallon) 1:256 / 0.35%
Min Dilution:	1:2,500 / 0.04%
Alternative Pump Head Materials:	Acrylic, PVC, HDPE, Kynar/PVDF
Alternative Seal Combinations:	Viton, EPDM, PA (Peracetic Acid)
Alternative Chemical Cylinders:	SST, Hastelloy
Mounting Options:	Vertical or Horizontal Mount
Included Accessories:	Mounting Feet, Suction Hose, SST Weighted Strainer, Operating Manual

Additional Options:

Hot Water Specific Delrin Machined Endplates (DMAC)

Support Documents:

- Schematic Print
- Operating Manual
- Installation Instructions (VM or HM)
- Dimensional Print

Recommended Accessories:

- Water Pressure Regulator
- Water Filter
- Mixing Chamber
- Backflow Preventer
- Rebuild Kit
- NPT Inlet/Outlet Adapters
- Anti-Siphon Kit

HYDRO-MIX -ML



Model #: 6010

Inlet/Outlet Connections:	3/4" Garden Hose (Inlet & Outlet)
Weight:	10lbs / 4kg
Pump Dimensions:	13" x 6" x 7" / 33cm x 15cm x 17cm
Shipping Box Dimensions:	16" x 10" x 9" / 40cm x 25cm x 22cm
Max Output:	7 GPM / 26 LPM
Min Output:	5 GPH / 18 LPH
Pressure Range:	10-75 psi / 0.6-5 bar
Max Dilution:	(1oz/gallon) 1:128 / 0.75%
Min Dilution:	1:1,200 / 0.08%
Alternative Pump Head Materials:	Acrylic, PVC, HDPE, Kynar/PVDF
Alternative Seal Combinations:	Viton, EPDM, Teflon (TFE/TTE), PAA
Alternative Chemical Cylinders:	SST, Hastelloy
Mounting Options:	Vertical or Horizontal Mount
Included Accessories:	Mounting Feet, Suction Hose, SST Weighted Strainer, Operating Manual

Additional Options:

Hot Water Specific Delrin Machined Endplates (DMAC)

Support Documents:

- Schematic Print
- Operating Manual
- Installation Instructions (VM or HM)
- Dimensional Print

Recommended Accessories:

- Water Pressure Regulator
- Water Filter
- Mixing Chamber
- Backflow Preventer
- Rebuild Kit
- NPT Inlet/Outlet Adapters
- Anti-Siphon Kit

HYDRO-MIX -ML



Model #: 6015

Inlet/Outlet Connections:	¾" Garden Hose (Inlet & Outlet)
Weight:	10lbs / 4kg
Pump Dimensions:	13" x 6" x 7" / 33cm x 15cm x 17cm
Shipping Box Dimensions:	16" x 10" x 9" / 40cm x 25cm x 22cm
Max Output:	7 GPM / 26 LPM
Min Output:	5 GPH / 18 LPH
Pressure Range:	10-75 psi / 0.6-5 bar
Max Dilution:	(1.5oz/gallon) 1:85 / 1.15%
Min Dilution:	1:850 / 0.12%
Alternative Pump Head Materials:	Acrylic, PVC, HDPE, Kynar/PVDF
Alternative Seal Combinations:	Viton, EPDM, Teflon (TFE/TTE)
Alternative Chemical Cylinders:	SST, Hastelloy
Mounting Options:	Vertical or Horizontal Mount
Included Accessories:	Mounting Feet, Suction Hose, SST Weighted Strainer, Operating Manual

Additional Options:

Hot Water Specific Delrin Machined Endplates (DMAC)

Support Documents:

- Schematic Print
- Operating Manual
- Installation Instructions (VM or HM)
- Dimensional Print

Recommended Accessories:

- Water Pressure Regulator
- Water Filter
- Mixing Chamber
- Backflow Preventer
- Rebuild Kit
- NPT Inlet/Outlet Adapters
- Anti-Siphon Kit

HYDRO-MIX -ML



Model #: 6020

Inlet/Outlet Connections:	¾" Garden Hose (Inlet & Outlet)
Weight:	10lbs / 4kg
Pump Dimensions:	13" x 6" x 7" / 33cm x 15cm x 17cm
Shipping Box Dimensions:	16" x 10" x 9" / 40cm x 25cm x 22cm
Max Output:	7 GPM / 26 LPM
Min Output:	5 GPH / 18 LPH
Pressure Range:	10-75 psi / 0.6-5 bar
Max Dilution:	(2oz/gallon) 1:64 / 1.50%
Min Dilution:	1:640 / 0.15%
Alternative Pump Head Materials:	Acrylic, PVC, HDPE, Kynar/PVDF
Alternative Seal Combinations:	Viton, EPDM, Teflon (TFE/TTE)
Alternative Chemical Cylinders:	SST, Hastelloy
Mounting Options:	Vertical or Horizontal Mount
Included Accessories:	Mounting Feet, Suction Hose, SST Weighted Strainer, Operating Manual

Additional Options:

Hot Water Specific Delrin Machined Endplates (DMAC)

Support Documents:

- Schematic Print
- Operating Manual
- Installation Instructions (VM or HM)
- Dimensional Print

Recommended Accessories:

- Water Pressure Regulator
- Water Filter
- Mixing Chamber
- Backflow Preventer
- Rebuild Kit
- NPT Inlet/Outlet Adapters
- Anti-Siphon Kit

HYDRO-MIX -ML



Model #: 6040

Inlet/Outlet Connections:	¾" Garden Hose (Inlet & Outlet)
Weight:	10lbs / 4kg
Pump Dimensions:	14" x 6" x 7" / 35cm x 15cm x 17cm
Shipping Box Dimensions:	16" x 10" x 9" / 40cm x 25cm x 22cm
Max Output:	7 GPM / 26 LPM
Min Output:	5 GPH / 18 LPH
Pressure Range:	10-75 psi / 0.6-5 bar
Max Dilution:	(4oz/gallon) 1:32 / 3.00%
Min Dilution:	1:320 / 0.30%
Alternative Pump Head Materials:	Acrylic, PVC, HDPE, Kynar/PVDF
Alternative Seal Combinations:	Viton, EPDM, Teflon (TFE/TTE), Fountain Solution (FS)
Alternative Chemical Cylinders:	SST, Hastelloy
Mounting Options:	Vertical or Horizontal Mount
Included Accessories:	Mounting Feet, Suction Hose, SST Foot Valve, Operating Manual

Additional Options:

Hot Water Specific Delrin Machined Endplates (DMAC)

Support Documents:

- Schematic Print
- Operating Manual
- Installation Instructions (VM or HM)
- Dimensional Print

Recommended Accessories:

- Water Pressure Regulator
- Water Filter
- Mixing Chamber
- Backflow Preventer
- Rebuild Kit
- NPT Inlet/Outlet Adapters
- Anti-Siphon Kit



HYDRO-MIX -ML



Model #: 6080

Inlet/Outlet Connections:	¾" Garden Hose (Inlet & Outlet)
Weight:	10lbs / 4kg
Pump Dimensions:	15" x 6" x 7" / 38cm x 15cm x 17cm
Shipping Box Dimensions:	16" x 10" x 9" / 40cm x 25cm x 22cm
Max Output:	7 GPM / 26 LPM
Min Output:	5 GPH / 18 LPH
Pressure Range:	10-75 psi / 0.6-5 bar
Max Dilution:	(8oz/gallon) 1:16 / 5.80%
Min Dilution:	1:160 / 0.60%
Alternative Pump Head Materials:	Acrylic, PVC, HDPE, Kynar/PVDF
Alternative Seal Combinations:	Viton, EPDM, Teflon (TFE/TTE), Fountain Solution (FS)
Alternative Chemical Cylinders:	SST, Hastelloy
Mounting Options:	Vertical or Horizontal Mount
Included Accessories:	Mounting Feet, Suction Hose, SST Foot Valve, Operating Manual

Additional Options:

Hot Water Specific Delrin Machined Endplates (DMAC)

Support Documents:

- Schematic Print
- Operating Manual
- Installation Instructions (VM or HM)
- Dimensional Print

Recommended Accessories:

- Water Pressure Regulator
- Water Filter
- Mixing Chamber
- Backflow Preventer
- Rebuild Kit
- NPT Inlet/Outlet Adapters
- Anti-Siphon Kit



HYDRO-MIX -ML



Model #: 6100

Inlet/Outlet Connections:	3/4" Garden Hose (Inlet & Outlet)
Weight:	11lbs / 5kg
Pump Dimensions:	16" x 6" x 7" / 40cm x 15cm x 17cm
Shipping Box Dimensions:	16" x 10" x 9" / 40cm x 25cm x 22cm
Max Output:	7 GPM / 26 LPM
Min Output:	5 GPH / 18 LPH
Pressure Range:	10-75 psi / 0.6-5 bar
Max Dilution:	(10oz/gallon) 1:12 / 7.20%
Min Dilution:	1:120 / 0.80%
Alternative Pump Head Materials:	Acrylic, PVC, HDPE, Kynar/PVDF
Alternative Seal Combinations:	Viton, EPDM
Alternative Chemical Cylinders:	SST, Hastelloy
Mounting Options:	Vertical or Horizontal Mount
Included Accessories:	Mounting Feet, Suction Hose, Tube Weight, Operating Manual

Additional Options:

Hot Water Specific Delrin Machined Endplates (DMAC)

Support Documents:

- Schematic Print
- Operating Manual
- Installation Instructions (VM or HM)
- Dimensional Print

Recommended Accessories:

- Water Pressure Regulator
- Water Filter
- Mixing Chamber
- Backflow Preventer
- Rebuild Kit
- NPT Inlet/Outlet Adapters
- Anti-Siphon Kit



HYDRO-MIX -ML



Model #: 6120

Inlet/Outlet Connections:	¾" Garden Hose (Inlet & Outlet)
Weight:	11lbs / 5kg
Pump Dimensions:	16" x 6" x 7" / 40cm x 15cm x 17cm
Shipping Box Dimensions:	16" x 10" x 9" / 40cm x 25cm x 22cm
Max Output:	7 GPM / 26 LPM
Min Output:	5 GPH / 18 LPH
Pressure Range:	10-75 psi / 0.6-5 bar
Max Dilution:	(12oz/gallon) 1:10 / 8.50%
Min Dilution:	1:100 / 0.95%
Alternative Pump Head Materials:	Acrylic, PVC, HDPE, Kynar/PVDF
Alternative Seal Combinations:	Viton, EPDM, Teflon (TFE/TTE)
Alternative Chemical Cylinders:	SST, Hastelloy
Mounting Options:	Vertical or Horizontal Mount
Included Accessories:	Mounting Feet, Suction Hose, Tube Weight, Operating Manual

Additional Options:

Hot Water Specific Delrin Machined Endplates (DMAC)

Support Documents:

- Schematic Print
- Operating Manual
- Installation Instructions (VM or HM)
- Dimensional Print

Recommended Accessories:

- Water Pressure Regulator
- Water Filter
- Mixing Chamber
- Backflow Preventer
- Rebuild Kit
- NPT Inlet/Outlet Adapters
- Anti-Siphon Kit

HYDRO-MIX -ML



Model #: 6160

Inlet/Outlet Connections:	¾" Garden Hose (Inlet & Outlet)
Weight:	11lbs / 5kg
Pump Dimensions:	16" x 6" x 7" / 40cm x 15cm x 17cm
Shipping Box Dimensions:	16" x 10" x 9" / 40cm x 25cm x 22cm
Max Output:	7 GPM / 26 LPM
Min Output:	5 GPH / 18 LPH
Pressure Range:	10-75 psi / 0.6-5 bar
Max Dilution:	(16oz/gallon) 1:8 / 11.00%
Min Dilution:	1:80 / 1.00%
Alternative Pump Head Materials:	Acrylic, PVC, HDPE, Kynar/PVDF
Alternative Seal Combinations:	Viton, EPDM, Teflon (TFE/TTE)
Alternative Chemical Cylinders:	SST, Hastelloy
Mounting Options:	Vertical or Horizontal Mount
Included Accessories:	Mounting Feet, Suction Hose, Tube Weight, Operating Manual

Additional Options:

Hot Water Specific Delrin Machined Endplates (DMAC)

Support Documents:

- Schematic Print
- Operating Manual
- Installation Instructions (VM or HM)
- Dimensional Print

Recommended Accessories:

- Water Pressure Regulator
- Water Filter
- Mixing Chamber
- Backflow Preventer
- Rebuild Kit
- NPT Inlet/Outlet Adapters
- Anti-Siphon Kit

HYDRO-MIX -ML



Model #: 6180

Inlet/Outlet Connections:	3/4" Garden Hose (Inlet & Outlet)
Weight:	11lbs / 5kg
Pump Dimensions:	16" x 6" x 7" / 40cm x 15cm x 17cm
Shipping Box Dimensions:	16" x 10" x 9" / 40cm x 25cm x 22cm
Max Output:	7 GPM / 26 LPM
Min Output:	5 GPH / 18 LPH
Pressure Range:	10-75 psi / 0.6-5 bar
Max Dilution:	(18oz/gallon) 1:7 / 12.30%
Min Dilution:	1:70 / 1.40%
Alternative Pump Head Materials:	Acrylic, PVC, HDPE, Kynar/PVDF
Alternative Seal Combinations:	Viton, EPDM
Alternative Chemical Cylinders:	SST, Hastelloy
Mounting Options:	Vertical or Horizontal Mount
Included Accessories:	Mounting Feet, Suction Hose, Tube Weight, Operating Manual

Additional Options:

Hot Water Specific Delrin Machined Endplates (DMAC)

Support Documents:

- Schematic Print
- Operating Manual
- Installation Instructions (VM or HM)
- Dimensional Print

Recommended Accessories:

- Water Pressure Regulator
- Water Filter
- Mixing Chamber
- Backflow Preventer
- Rebuild Kit
- NPT Inlet/Outlet Adapters
- Anti-Siphon Kit



HYDRO-MIX -ML



Model #: 6200

Inlet/Outlet Connections:	¾" Garden Hose (Inlet & Outlet)
Weight:	11lbs / 5kg
Pump Dimensions:	16" x 6" x 7" / 40cm x 15cm x 17cm
Shipping Box Dimensions:	16" x 10" x 9" / 40cm x 25cm x 22cm
Max Output:	7 GPM / 26 LPM
Min Output:	5 GPH / 18 LPH
Pressure Range:	10-75 psi / 0.6-5 bar
Max Dilution:	(20oz/gallon) 1:6 / 13.50%
Min Dilution:	1:60 / 1.60%
Alternative Pump Head Materials:	Acrylic, PVC, HDPE, Kynar/PVDF
Alternative Seal Combinations:	Viton, EPDM, Teflon (TFE/TTE)
Alternative Chemical Cylinders:	SST, Hastelloy
Mounting Options:	Vertical or Horizontal Mount
Included Accessories:	Mounting Feet, Suction Hose, Tube Weight, Operating Manual

Additional Options:

Hot Water Specific Delrin Machined Endplates (DMAC)

Support Documents:

- Schematic Print
- Operating Manual
- Installation Instructions (VM or HM)
- Dimensional Print

Recommended Accessories:

- Water Pressure Regulator
- Water Filter
- Mixing Chamber
- Backflow Preventer
- Rebuild Kit
- NPT Inlet/Outlet Adapters
- Anti-Siphon Kit

HYDRO-MIX -ML



Model #: 6260

Inlet/Outlet Connections:	¾" Garden Hose (Inlet & Outlet)
Weight:	11lbs / 5kg
Pump Dimensions:	16" x 6" x 7" / 40cm x 15cm x 17cm
Shipping Box Dimensions:	16" x 10" x 9" / 40cm x 25cm x 22cm
Max Output:	7 GPM / 26 LPM
Min Output:	5 GPH / 18 LPH
Pressure Range:	10-75 psi / 0.6-5 bar
Max Dilution:	(26oz/gallon) 1:5 / 16.80%
Min Dilution:	1:50 / 1.90%
Alternative Pump Head Materials:	Acrylic, PVC, HDPE, Kynar/PVDF
Alternative Seal Combinations:	Viton, EPDM
Alternative Chemical Cylinders:	SST, Hastelloy
Mounting Options:	Vertical or Horizontal Mount
Included Accessories:	Mounting Feet, Suction Hose, Tube Weight, Operating Manual

Additional Options:

Hot Water Specific Delrin Machined Endplates (DMAC)

Support Documents:

- Schematic Print
- Operating Manual
- Installation Instructions (VM or HM)
- Dimensional Print

Recommended Accessories:

- Water Pressure Regulator
- Water Filter
- Mixing Chamber
- Backflow Preventer
- Rebuild Kit
- NPT Inlet/Outlet Adapters
- Anti-Siphon Kit

HYDRO-MIX -ML



Model #: 6320

Inlet/Outlet Connections:	¾" Garden Hose (Inlet & Outlet)
Weight:	12lbs / 5kg
Pump Dimensions:	17" x 6" x 7" / 43cm x 15cm x 17cm
Shipping Box Dimensions:	16" x 10" x 9" / 40cm x 25cm x 22cm
Max Output:	7 GPM / 26 LPM
Min Output:	5 GPH / 18 LPH
Pressure Range:	10-75 psi / 0.6-5 bar
Max Dilution:	(32oz/gallon) 1:4 / 20.00%
Min Dilution:	1:40 / 2.40%
Alternative Pump Head Materials:	Acrylic, PVC, HDPE, Kynar/PVDF
Alternative Seal Combinations:	Viton, EPDM, Teflon (TFE/TTE)
Alternative Chemical Cylinders:	SST, Hastelloy
Mounting Options:	Vertical or Horizontal Mount
Included Accessories:	Mounting Feet, Suction Hose, Tube Weight, Operating Manual

Additional Options:

Hot Water Specific Delrin Machined Endplates (DMAC)

Support Documents:

- Schematic Print
- Operating Manual
- Installation Instructions (VM or HM)
- Dimensional Print

Recommended Accessories:

- Water Pressure Regulator
- Water Filter
- Mixing Chamber
- Backflow Preventer
- Rebuild Kit
- NPT Inlet/Outlet Adapters
- Anti-Siphon Kit

HYDRO-MIX -ML



Model #: 6470

Inlet/Outlet Connections:	¾" Garden Hose (Inlet & Outlet)
Weight:	13lbs / 6kg
Pump Dimensions:	17" x 6" x 7" / 43cm x 15cm x 17cm
Shipping Box Dimensions:	16" x 10" x 9" / 40cm x 25cm x 22cm
Max Output:	7 GPM / 26 LPM
Min Output:	5 GPH / 18 LPH
Pressure Range:	10-75 psi / 0.6-5 bar
Max Dilution:	(47oz/gallon) 1:3 / 26.80%
Min Dilution:	1:30 / 3.20%
Alternative Pump Head Materials:	Acrylic, PVC, HDPE, Delrin, Kynar/PVDF
Alternative Seal Combinations:	Viton, EPDM, Teflon (TFE/TTE)
Alternative Chemical Cylinders:	SST, Hastelloy
Mounting Options:	Vertical or Horizontal Mount
Included Accessories:	Mounting Feet, Suction Hose, Tube Weight, Operating Manual

Additional Options:

Hot Water Specific Delrin Machined Endplates (DMAC)

Support Documents:

- Schematic Print
- Operating Manual
- Installation Instructions (VM or HM)
- Dimensional Print

Recommended Accessories:

- Water Pressure Regulator
- Water Filter
- Mixing Chamber
- Backflow Preventer
- Rebuild Kit
- NPT Inlet/Outlet Adapters
- Anti-Siphon Kit

HYDRO-MIX -ML



Model #: 6850

Inlet/Outlet Connections:	¾" Garden Hose (Inlet & Outlet)
Weight:	18lbs / 8kg
Pump Dimensions:	18" x 7" x 8" / 45cm x 18cm x 20cm
Shipping Box Dimensions:	20" x 15" x 15" / 50cm x 38cm x 38cm
Max Output:	7 GPM / 26 LPM
Min Output:	5 GPH / 18 LPH
Pressure Range:	10-75 psi / 0.6-5 bar
Max Dilution:	(85oz/gallon) 1:1.5 / 35.00%
Min Dilution:	1:15 / 4.70%
Alternative Pump Head Materials:	Acrylic, PVC, HDPE, Delrin, Kynar/PVDF
Alternative Seal Combinations:	Viton, EPDM, Teflon (TFE/TTE)
Alternative Chemical Cylinders:	SST, Hastelloy
Mounting Options:	Vertical or Horizontal Mount
Included Accessories:	Mounting Feet, Suction Hose, PVC Foot Valve, Operating Manual

Additional Options:

Hot Water Specific Delrin Machined Endplates (DMAC)

Support Documents:

- Schematic Print
- Operating Manual
- Installation Instructions (VM or HM)
- Dimensional Print

Recommended Accessories:

- Water Pressure Regulator
- Water Filter
- Backflow Preventer
- Rebuild Kit
- NPT Inlet/Outlet Adapters
- Anti-Siphon Kit



HYDRO-MIX -ML

Hydro-MIX-ML 12 GPM Product Line

Model	Max Oz.	Ratio	%	Max GPM	Max Liters	Pressure	Inlet/Outlet
MV6003	0.32oz	1:400 to 1:4,000	0.25% to 0.02%	12 GPM	45 LPM	10-75 PSI / 0.6-5 bar	3/4" Garden Hose
MV6006	0.64oz	1:200 to 1:2,000	0.5% to 0.05%	12 GPM	45 LPM	10-75 PSI / 0.6-5 bar	3/4" Garden Hose
MV6010	1oz	1:128 to 1:1,200	0.75% to 0.07%	12 GPM	45 LPM	10-75 PSI / 0.6-5 bar	3/4" Garden Hose
MV6012	1.25oz	1:80 to 1:800	1.20% to 0.10%	12 GPM	45 LPM	10-75 PSI / 0.6-5 bar	3/4" Garden Hose
MV6025	2.5oz	1:50 to 1:500	1.90% to 0.20%	12 GPM	45 LPM	10-75 PSI / 0.6-5 bar	3/4" Garden Hose
MV6050	5oz	1:26 to 1:260	3.70% to 0.35%	12 GPM	45 LPM	10-75 PSI / 0.6-5 bar	3/4" Garden Hose
MV6064	6.4oz	1:20 to 1:200	4.70% to 0.50%	12 GPM	45 LPM	10-75 PSI / 0.6-5 bar	3/4" Garden Hose
MV6080	8oz	1:16 to 1:160	5.80% to 0.60%	12 GPM	45 LPM	10-75 PSI / 0.6-5 bar	3/4" Garden Hose
MV6100	10oz	1:12 to 1:120	7.20% to 0.80%	12 GPM	45 LPM	10-75 PSI / 0.6-5 bar	3/4" Garden Hose
MV6115	11.5oz	1:11 to 1:110	8.30% to 0.90%	12 GPM	45 LPM	10-75 PSI / 0.6-5 bar	3/4" Garden Hose
MV6120	12oz	1:10 to 1:100	9.10% to 0.95%	12 GPM	45 LPM	10-75 PSI / 0.6-5 bar	3/4" Garden Hose
MV6170	17oz	1:8 to 1:80	11.00% to 1.00%	12 GPM	45 LPM	10-75 PSI / 0.6-5 bar	3/4" Garden Hose
MV6200	20oz	1:6 to 1:60	13.50% to 1.60%	12 GPM	45 LPM	10-75 PSI / 0.6-5 bar	3/4" Garden Hose
MV6300	30oz	1:4 to 1:40	20.00% to 2.40%	12 GPM	45 LPM	10-75 PSI / 0.6-5 bar	3/4" Garden Hose
MV6540	54oz	1:2.5 to 1:25	32.00% to 3.20%	12 GPM	45 LPM	10-75 PSI / 0.6-5 bar	3/4" Garden Hose

- (1) The first section of the model number denotes the Mid Volume (12 GPM) series pump and the maximum ounces injected per gallon of water.
 (2) The next section denotes the material used in the pump head (i.e. "A" stands for an Acrylic pump head).
 (3) The final section denotes the seal package used in the pump (i.e. "V" stands for Viton seals).

Alternative Pump Head Materials:

- "A" - Acrylic (standard)
- "PVC" - Polyvinylchloride
- "HDPE" - High Density Polyethylene
- "K" - Kynar/PVDF

Alternative Seal Combinations:

- "V" - Viton (standard)
- "E" - EPDM
- "TFE" - Teflofluoroethylene
- "TTE" - Teflofluoroethylene
- "FS" - Fountain Solution
- "PA" - Peracetic Acid

Alternative Chemical Cylinder:

- 316 SST
- Hastelloy C

Additional Options:

- "DMAC" - Hot Water Specific Delrin Machined Endplates
- "DI" - Dual Injection
- "TI" - Triple Injection
- "NPT" - National Pipe Thread Adapters

Included Accessories: Mounting Feet, Suction Hose, Weighted Strainer/Footvalve, Operating Manual

HYDRO-MIX -ML



Model #: MV6003

Inlet/Outlet Connections:	¾" Garden Hose (Inlet & Outlet)
Weight:	10lbs / 4kg
Pump Dimensions:	13" x 8" x 6" / 33cm x 20cm x 15cm
Shipping Box Dimensions:	16" x 10" x 9" / 40cm x 25cm x 22cm
Max Output:	12 GPM / 45 LPM
Pressure Range:	10-75 psi / 0.6-5 bar
Max Dilution:	(0.32oz/gallon) 1:400 / 0.25%
Min Dilution:	1:4,000 / 0.02%
Alternative Pump Head Materials:	Acrylic, PVC, HDPE, Kynar/PVDF
Alternative Seal Combinations:	Viton, EPDM, PAA
Alternative Chemical Cylinders:	SST, Hastelloy
Mounting Options:	Vertical or Horizontal Mount
Included Accessories:	Mounting Feet, Suction Hose, SST Weighted Strainer, Operating Manual

Additional Options:

Hot Water Specific Delrin Machined Endplates (DMAC)

Support Documents:

- Schematic Print
- Operating Manual
- Installation Instructions (VM or HM)
- Dimensional Print

Recommended Accessories:

- Water Pressure Regulator
- Water Filter
- Mixing Chamber
- Backflow Preventer
- Rebuild Kit
- NPT Inlet/Outlet Adapters
- Anti-Siphon Kit

HYDRO-MIX -ML



Model #: MV6006

Inlet/Outlet Connections:	¾" Garden Hose (Inlet & Outlet)
Weight:	10lbs / 4kg
Pump Dimensions:	13" x 8" x 6" / 33cm x 20cm x 15cm
Shipping Box Dimensions:	16" x 10" x 9" / 40cm x 25cm x 22cm
Max Output:	12 GPM / 45 LPM
Pressure Range:	10-75 psi / 0.6-5 bar
Max Dilution:	(0.64oz/gallon) 1:200 / 0.50%
Min Dilution:	1:2,000 / 0.05%
Alternative Pump Head Materials:	Acrylic, PVC, HDPE, Kynar/PVDF
Alternative Seal Combinations:	Viton, EPDM, PAA
Alternative Chemical Cylinders:	SST, Hastelloy
Mounting Options:	Vertical or Horizontal Mount
Included Accessories:	Mounting Feet, Suction Hose, SST Weighted Strainer, Operating Manual

Additional Options:

Hot Water Specific Delrin Machined Endplates (DMAC)

Support Documents:

- Schematic Print
- Operating Manual
- Installation Instructions (VM or HM)
- Dimensional Print

Recommended Accessories:

- Water Pressure Regulator
- Water Filter
- Mixing Chamber
- Backflow Preventer
- Rebuild Kit
- NPT Inlet/Outlet Adapters
- Anti-Siphon Kit

HYDRO-MIX -ML



Model #: MV6010

Inlet/Outlet Connections:	¾" Garden Hose (Inlet & Outlet)
Weight:	11lbs / 4kg
Pump Dimensions:	13" x 8" x 6" / 33cm x 20cm x 15cm
Shipping Box Dimensions:	16" x 10" x 9" / 40cm x 25cm x 22cm
Max Output:	12 GPM / 45 LPM
Pressure Range:	10-75 psi / 0.6-5 bar
Max Dilution:	(1oz/gallon) 1:128 / 0.75%
Min Dilution:	1:1,200 / 0.07%
Alternative Pump Head Materials:	Acrylic, PVC, HDPE, Kynar/PVDF
Alternative Seal Combinations:	Viton, EPDM, Teflon (TFE/TTE)
Alternative Chemical Cylinders:	SST, Hastelloy
Mounting Options:	Vertical or Horizontal Mount
Included Accessories:	Mounting Feet, Suction Hose, SST Weighted Strainer, Operating Manual

Additional Options:

Hot Water Specific Delrin Machined Endplates (DMAC)

Support Documents:

- Schematic Print
- Operating Manual
- Installation Instructions (VM or HM)
- Dimensional Print

Recommended Accessories:

- Water Pressure Regulator
- Water Filter
- Mixing Chamber
- Backflow Preventer
- Rebuild Kit
- NPT Inlet/Outlet Adapters
- Anti-Siphon Kit

HYDRO-MIX -ML



Model #: MV6012

Inlet/Outlet Connections:	¾" Garden Hose (Inlet & Outlet)
Weight:	11lbs / 5kg
Pump Dimensions:	13" x 8" x 6" / 33cm x 20cm x 15cm
Shipping Box Dimensions:	16" x 10" x 9" / 40cm x 25cm x 22cm
Max Output:	12 GPM / 45 LPM
Pressure Range:	10-75 psi / 0.6-5 bar
Max Dilution:	(1.25oz/gallon) 1:80 / 1.20%
Min Dilution:	1:800 / 0.10%
Alternative Pump Head Materials:	Acrylic, PVC, HDPE, Kynar/PVDF
Alternative Seal Combinations:	Viton, EPDM, Teflon (TFE/TTE)
Alternative Chemical Cylinders:	SST, Hastelloy
Mounting Options:	Vertical or Horizontal Mount
Included Accessories:	Mounting Feet, Suction Hose, SST Weighted Strainer, Operating Manual

Additional Options:

Hot Water Specific Delrin Machined Endplates (DMAC)

Support Documents:

- Schematic Print
- Operating Manual
- Installation Instructions (VM or HM)
- Dimensional Print

Recommended Accessories:

- Water Pressure Regulator
- Water Filter
- Mixing Chamber
- Backflow Preventer
- Rebuild Kit
- NPT Inlet/Outlet Adapters
- Anti-Siphon Kit

HYDRO-MIX -ML



Model #: MV6025

Inlet/Outlet Connections:	¾" Garden Hose (Inlet & Outlet)
Weight:	11lbs / 5kg
Pump Dimensions:	14" x 8" x 6" / 35cm x 20cm x 15cm
Shipping Box Dimensions:	16" x 10" x 9" / 40cm x 25cm x 22cm
Max Output:	12 GPM / 45 LPM
Pressure Range:	10-75 psi / 0.6-5 bar
Max Dilution:	(2.5oz/gallon) 1:50 / 1.90%
Min Dilution:	1:500 / 0.20%
Alternative Pump Head Materials:	Acrylic, PVC, HDPE, Kynar/PVDF
Alternative Seal Combinations:	Viton, EPDM, Teflon (TFE/TTE)
Alternative Chemical Cylinders:	SST, Hastelloy
Mounting Options:	Vertical or Horizontal Mount
Included Accessories:	Mounting Feet, Suction Hose, SST Foot Valve, Operating Manual

Additional Options:

Hot Water Specific Delrin Machined Endplates (DMAC)

Support Documents:

- Schematic Print
- Operating Manual
- Installation Instructions (VM or HM)
- Dimensional Print

Recommended Accessories:

- Water Pressure Regulator
- Water Filter
- Mixing Chamber
- Backflow Preventer
- Rebuild Kit
- NPT Inlet/Outlet Adapters
- Anti-Siphon Kit

HYDRO-MIX -ML



Model #: MV6050

Inlet/Outlet Connections:	¾" Garden Hose (Inlet & Outlet)
Weight:	11lbs / 5kg
Pump Dimensions:	15" x 8" x 6" / 38cm x 20cm x 15cm
Shipping Box Dimensions:	16" x 10" x 9" / 40cm x 25cm x 22cm
Max Output:	12 GPM / 45 LPM
Pressure Range:	10-75 psi / 0.6-5 bar
Max Dilution:	(5oz/gallon) 1:26 / 3.70%
Min Dilution:	1:260 / 0.35%
Alternative Pump Head Materials:	Acrylic, PVC, HDPE, Kynar/PVDF
Alternative Seal Combinations:	Viton, EPDM, Teflon (TFE/TTE)
Alternative Chemical Cylinders:	SST, Hastelloy
Mounting Options:	Vertical or Horizontal Mount
Included Accessories:	Mounting Feet, Suction Hose, SST Foot Valve, Operating Manual

Additional Options:

Hot Water Specific Delrin Machined Endplates (DMAC)

Support Documents:

- Schematic Print
- Operating Manual
- Installation Instructions (VM or HM)
- Dimensional Print

Recommended Accessories:

- Water Pressure Regulator
- Water Filter
- Mixing Chamber
- Backflow Preventer
- Rebuild Kit
- NPT Inlet/Outlet Adapters
- Anti-Siphon Kit

HYDRO-MIX -ML



Model #: MV6064

Inlet/Outlet Connections:	¾" Garden Hose (Inlet & Outlet)
Weight:	12lbs / 5kg
Pump Dimensions:	16" x 8" x 6" / 40cm x 20cm x 15cm
Shipping Box Dimensions:	16" x 10" x 9" / 40cm x 25cm x 22cm
Max Output:	12 GPM / 45 LPM
Pressure Range:	10-75 psi / 0.6-5 bar
Max Dilution:	(6.4oz/gallon) 1:20 / 4.70%
Min Dilution:	1:200 / 0.50%
Alternative Pump Head Materials:	Acrylic, PVC, HDPE, Kynar/PVDF
Alternative Seal Combinations:	Viton, EPDM
Alternative Chemical Cylinders:	SST, Hastelloy
Mounting Options:	Vertical or Horizontal Mount
Included Accessories:	Mounting Feet, Suction Hose, Tube Weight, Operating Manual

Additional Options:

Hot Water Specific Delrin Machined Endplates (DMAC)

Support Documents:

- Schematic Print
- Operating Manual
- Installation Instructions (VM or HM)
- Dimensional Print

Recommended Accessories:

- Water Pressure Regulator
- Water Filter
- Mixing Chamber
- Backflow Preventer
- Rebuild Kit
- NPT Inlet/Outlet Adapters
- Anti-Siphon Kit

HYDRO-MIX -ML



Model #: MV6080

Inlet/Outlet Connections:	¾" Garden Hose (Inlet & Outlet)
Weight:	12lbs / 5kg
Pump Dimensions:	16" x 8" x 6" / 40cm x 20cm x 15cm
Shipping Box Dimensions:	16" x 10" x 9" / 40cm x 25cm x 22cm
Max Output:	12 GPM / 45 LPM
Pressure Range:	10-75 psi / 0.6-5 bar
Max Dilution:	(8oz/gallon) 1:16 / 5.80%
Min Dilution:	1:160 / 0.60%
Alternative Pump Head Materials:	Acrylic, PVC, HDPE, Kynar/PVDF
Alternative Seal Combinations:	Viton, EPDM, Teflon (TFE/TTE)
Alternative Chemical Cylinders:	SST, Hastelloy
Mounting Options:	Vertical or Horizontal Mount
Included Accessories:	Mounting Feet, Suction Hose, SST Weighted Strainer, Operating Manual

Additional Options:

Hot Water Specific Delrin Machined Endplates (DMAC)

Support Documents:

- Schematic Print
- Operating Manual
- Installation Instructions (VM or HM)
- Dimensional Print

Recommended Accessories:

- Water Pressure Regulator
- Water Filter
- Mixing Chamber
- Backflow Preventer
- Rebuild Kit
- NPT Inlet/Outlet Adapters
- Anti-Siphon Kit

HYDRO-MIX -ML



Model #: MV6100

Inlet/Outlet Connections:	¾" Garden Hose (Inlet & Outlet)
Weight:	12lbs / 5kg
Pump Dimensions:	16" x 8" x 6" / 40cm x 20cm x 15cm
Shipping Box Dimensions:	16" x 10" x 9" / 40cm x 25cm x 22cm
Max Output:	12 GPM / 45 LPM
Pressure Range:	10-75 psi / 0.6-5 bar
Max Dilution:	(10oz/gallon) 1:12 / 7.20%
Min Dilution:	1:120 / 0.80%
Alternative Pump Head Materials:	Acrylic, PVC, HDPE, Kynar/PVDF
Alternative Seal Combinations:	Viton, EPDM, Teflon (TFE/TTE)
Alternative Chemical Cylinders:	SST, Hastelloy
Mounting Options:	Vertical or Horizontal Mount
Included Accessories:	Mounting Feet, Suction Hose, Tube Weight, Operating Manual

Additional Options:

Hot Water Specific Delrin Machined Endplates (DMAC)

Support Documents:

- Schematic Print
- Operating Manual
- Installation Instructions (VM or HM)
- Dimensional Print

Recommended Accessories:

- Water Pressure Regulator
- Water Filter
- Mixing Chamber
- Backflow Preventer
- Rebuild Kit
- NPT Inlet/Outlet Adapters
- Anti-Siphon Kit

HYDRO-MIX -ML



Model #: MV6115

Inlet/Outlet Connections:	¾" Garden Hose (Inlet & Outlet)
Weight:	12lbs / 5kg
Pump Dimensions:	16" x 8" x 6" / 40cm x 20cm x 15cm
Shipping Box Dimensions:	16" x 10" x 9" / 40cm x 25cm x 22cm
Max Output:	12 GPM / 45 LPM
Pressure Range:	10-75 psi / 0.6-5 bar
Max Dilution:	(11.5oz/gallon) 1:11 / 8.30%
Min Dilution:	1:110 / 0.90%
Alternative Pump Head Materials:	Acrylic, PVC, HDPE, Kynar/PVDF
Alternative Seal Combinations:	Viton, EPDM
Alternative Chemical Cylinders:	SST, Hastelloy
Mounting Options:	Vertical or Horizontal Mount
Included Accessories:	Mounting Feet, Suction Hose, Tube Weight, Operating Manual

Additional Options:

Hot Water Specific Delrin Machined Endplates (DMAC)

Support Documents:

- Schematic Print
- Operating Manual
- Installation Instructions (VM or HM)
- Dimensional Print

Recommended Accessories:

- Water Pressure Regulator
- Water Filter
- Mixing Chamber
- Backflow Preventer
- Rebuild Kit
- NPT Inlet/Outlet Adapters
- Anti-Siphon Kit

HYDRO-MIX -ML



Model #: MV6120

Inlet/Outlet Connections:	¾" Garden Hose (Inlet & Outlet)
Weight:	12lbs / 5kg
Pump Dimensions:	16" x 8" x 6" / 40cm x 20cm x 15cm
Shipping Box Dimensions:	16" x 10" x 9" / 40cm x 25cm x 22cm
Max Output:	12 GPM / 45 LPM
Pressure Range:	10-75 psi / 0.6-5 bar
Max Dilution:	(12oz/gallon) 1:10 / 9.10%
Min Dilution:	1:100 / 0.95%
Alternative Pump Head Materials:	Acrylic, PVC, HDPE, Kynar/PVDF
Alternative Seal Combinations:	Viton, EPDM, Teflon (TFE/TTE)
Alternative Chemical Cylinders:	SST, Hastelloy
Mounting Options:	Vertical or Horizontal Mount
Included Accessories:	Mounting Feet, Suction Hose, Tube Weight, Operating Manual

Additional Options:

Hot Water Specific Delrin Machined Endplates (DMAC)

Support Documents:

- Schematic Print
- Operating Manual
- Installation Instructions (VM or HM)
- Dimensional Print

Recommended Accessories:

- Water Pressure Regulator
- Water Filter
- Mixing Chamber
- Backflow Preventer
- Rebuild Kit
- NPT Inlet/Outlet Adapters
- Anti-Siphon Kit

HYDRO-MIX -ML



Model #: MV6170

Inlet/Outlet Connections:	¾" Garden Hose (Inlet & Outlet)
Weight:	13lbs / 6kg
Pump Dimensions:	16" x 8" x 6" / 40cm x 20cm x 15cm
Shipping Box Dimensions:	16" x 10" x 9" / 40cm x 25cm x 22cm
Max Output:	12 GPM / 45 LPM
Pressure Range:	10-75 psi / 0.6-5 bar
Max Dilution:	(17oz/gallon) 1:8 / 11.00%
Min Dilution:	1:80 / 1.10%
Alternative Pump Head Materials:	Acrylic, PVC, HDPE, Kynar/PVDF
Alternative Seal Combinations:	Viton, EPDM
Alternative Chemical Cylinders:	SST, Hastelloy
Mounting Options:	Vertical or Horizontal Mount
Included Accessories:	Mounting Feet, Suction Hose, Tube Weight, Operating Manual

Additional Options:

Hot Water Specific Delrin Machined Endplates (DMAC)

Support Documents:

- Schematic Print
- Operating Manual
- Installation Instructions (VM or HM)
- Dimensional Print

Recommended Accessories:

- Water Pressure Regulator
- Water Filter
- Mixing Chamber
- Backflow Preventer
- Rebuild Kit
- NPT Inlet/Outlet Adapters
- Anti-Siphon Kit

HYDRO-MIX -ML



Model #: MV6200

Inlet/Outlet Connections:	3/4" Garden Hose (Inlet & Outlet)
Weight:	13lbs / 6kg
Pump Dimensions:	17" x 8" x 6" / 43cm x 20cm x 15cm
Shipping Box Dimensions:	16" x 10" x 9" / 40cm x 25cm x 22cm
Max Output:	12 GPM / 45 LPM
Pressure Range:	10-75 psi / 0.6-5 bar
Max Dilution:	(20oz/gallon) 1:6 / 13.50%
Min Dilution:	1:60 / 1.60%
Alternative Pump Head Materials:	Acrylic, PVC, HDPE, Kynar/PVDF
Alternative Seal Combinations:	Viton, EPDM, Teflon (TFE/TTE)
Alternative Chemical Cylinders:	SST, Hastelloy
Mounting Options:	Vertical or Horizontal Mount
Included Accessories:	Mounting Feet, Suction Hose, Tube Weight, Operating Manual

Additional Options:

Hot Water Specific Delrin Machined Endplates (DMAC)

Support Documents:

- Schematic Print
- Operating Manual
- Installation Instructions (VM or HM)
- Dimensional Print

Recommended Accessories:

- Water Pressure Regulator
- Water Filter
- Mixing Chamber
- Backflow Preventer
- Rebuild Kit
- NPT Inlet/Outlet Adapters
- Anti-Siphon Kit

HYDRO-MIX -ML



Model #: MV6300

Inlet/Outlet Connections:	¾" Garden Hose (Inlet & Outlet)
Weight:	14lbs / 6kg
Pump Dimensions:	17" x 8" x 6" / 43cm x 20cm x 15cm
Shipping Box Dimensions:	16" x 10" x 9" / 40cm x 25cm x 22cm
Max Output:	12 GPM / 45 LPM
Pressure Range:	10-75 psi / 0.6-5 bar
Max Dilution:	(30oz/gallon) 1:4 / 20.00%
Min Dilution:	1:40 / 2.40%
Alternative Pump Head Materials:	Acrylic, PVC, HDPE, Kynar/PVDF
Alternative Seal Combinations:	Viton, EPDM, Teflon (TFE/TTE)
Alternative Chemical Cylinders:	SST, Hastelloy
Mounting Options:	Vertical or Horizontal Mount
Included Accessories:	Mounting Feet, Suction Hose, Tube Weight, Operating Manual

Additional Options:

Hot Water Specific Delrin Machined Endplates (DMAC)

Support Documents:

- Schematic Print
- Operating Manual
- Installation Instructions (VM or HM)
- Dimensional Print

Recommended Accessories:

- Water Pressure Regulator
- Water Filter
- Mixing Chamber
- Backflow Preventer
- Rebuild Kit
- NPT Inlet/Outlet Adapters
- Anti-Siphon Kit

HYDRO-MIX -ML



Model #: MV6540

Inlet/Outlet Connections:	¾" Garden Hose (Inlet & Outlet)
Weight:	20lbs / 9kg
Pump Dimensions:	18" x 18" x 6" / 45cm x 45cm 15cm
Shipping Box Dimensions:	20" x 15" x 15" / 50cm x 38cm x 38cm
Max Output:	12 GPM / 45 LPM
Pressure Range:	10-75 psi / 0.6-5 bar
Max Dilution:	(54oz/gallon) 1:2.5 / 28.00%
Min Dilution:	1:25 / 2.80%
Alternative Pump Head Materials:	Acrylic, PVC, HDPE, Kynar/PVDF
Alternative Seal Combinations:	Viton, EPDM, Teflon (TFE/TTE)
Alternative Chemical Cylinders:	SST, Hastelloy
Mounting Options:	Vertical or Horizontal Mount
Included Accessories:	Mounting Feet, Suction Hose, PVC Foot Valve, Operating Manual

Additional Options:

Hot Water Specific Delrin Machined Endplates (DMAC)

Support Documents:

- Schematic Print
- Operating Manual
- Installation Instructions (VM or HM)
- Dimensional Print

Recommended Accessories:

- Water Pressure Regulator
- Water Filter
- Mixing Chamber
- Backflow Preventer
- Rebuild Kit
- NPT Inlet/Outlet Adapters
- Anti-Siphon Kit

HYDRO-MIX -ML

Hydro-MIX-ML 25 GPM Product Line

Model	Max Oz.	Ratio	%	Max GPM	Max Liters	Pressure	Inlet/Outlet
HV6002	0.22oz	1:580 to 1:5,800	0.15% to 0.01%	25 GPM	94 LPM	10-75 PSI / 0.6-5 bar	3/4" Garden Hose
HV6004	0.44oz	1:290 to 1:2,900	0.35% to 0.03%	25 GPM	94 LPM	10-75 PSI / 0.6-5 bar	3/4" Garden Hose
HV6006	0.66oz	1:190 to 1:1,900	0.50% to 0.05%	25 GPM	94 LPM	10-75 PSI / 0.6-5 bar	3/4" Garden Hose
HV6008	0.88oz	1:145 to 1:1,400	0.65% to 0.06%	25 GPM	94 LPM	10-75 PSI / 0.6-5 bar	3/4" Garden Hose
HV6017	1.70oz	1:75 to 1:750	1.30% to 0.13%	25 GPM	94 LPM	10-75 PSI / 0.6-5 bar	3/4" Garden Hose
HV6035	3.50oz	1:36 to 1:360	2.70% to 0.25%	25 GPM	94 LPM	10-75 PSI / 0.6-5 bar	3/4" Garden Hose
HV6050	5oz	1:26 to 1:260	3.70% to 0.35%	25 GPM	94 LPM	10-75 PSI / 0.6-5 bar	3/4" Garden Hose
HV6080	8oz	1:16 to 1:160	5.80% to 0.60%	25 GPM	94 LPM	10-75 PSI / 0.6-5 bar	3/4" Garden Hose
HV6090	9oz	1:14 to 1:140	6.70% to 0.70%	25 GPM	94 LPM	10-75 PSI / 0.6-5 bar	3/4" Garden Hose
HV6140	14oz	1:9 to 1:90	10.00% to 1.00%	25 GPM	94 LPM	10-75 PSI / 0.6-5 bar	3/4" Garden Hose
HV6200	20oz	1:6 to 1:60	13.50% to 1.60%	25 GPM	94 LPM	10-75 PSI / 0.6-5 bar	3/4" Garden Hose
HV6360	36oz	1:3 to 1:30	26.80% to 3.20%	25 GPM	94 LPM	10-75 PSI / 0.6-5 bar	3/4" Garden Hose

- (1) The first section of the model number denotes the High Volume (25 GPM) series pump and the maximum ounces injected per gallon of water.
 (2) The next section denotes the material used in the pump head (i.e. "A" stands for an Acrylic pump head).
 (3) The final section denotes the seal package used in the pump (i.e. "V" stands for Viton seals).

Alternative Pump Head Materials:

- "A" - Acrylic (standard)
- "PVC" - Polyvinylchloride
- "HDPE" - High Density Polyethylene
- "K" - Kynar/PVDF

Alternative Seal Combinations:

- "V" - Viton (standard)
- "E" - EPDM
- "TFE" - Teflofluoroethylene
- "TTE" - Teflofluoroethylene
- "FS" - Fountain Solution
- "PA" - Peracetic Acid

Alternative Chemical Cylinder:

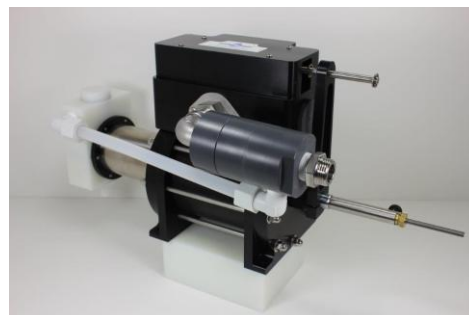
- 316 SST
- Hastelloy C

Additional Options:

- "DMAC" - Hot Water Specific Delrin Machined Endplates
- "DI" - Dual Injection
- "TI" - Triple Injection
- "NPT" - National Pipe Thread Adapters

Included Accessories: Mounting Feet, Suction Hose, Weighted Strainer/Footvalve, Operating Manual

HYDRO-MIX -ML



Model #: HV6002

Inlet/Outlet Connections:	¾" Garden Hose (Inlet & Outlet)
Weight:	22lbs / 10kg
Pump Dimensions:	23" x 10" x 11" / 58cm x 25cm x 28cm
Shipping Box Dimensions:	25" x 25" x 20" / 63cm x 63cm x 50cm
Max Output:	25 GPM / 94 LPM
Pressure Range:	10-75 psi / 0.6-5 bar
Max Dilution:	(0.22oz/gallon) 1:580 / 0.15%
Min Dilution:	1:5,800 / 0.02%
Alternative Pump Head Materials:	Acrylic, PVC, HDPE, Kynar/PVDF
Alternative Seal Combinations:	Viton, EPDM, PAA
Alternative Chemical Cylinders:	SST, Hastelloy
Mounting Options:	Vertical or Horizontal Mount
Included Accessories:	Mounting Feet, Suction Hose, PVC Foot Valve, Operating Manual

Additional Options:

Hot Water Specific Delrin Machined Endplates (DMAC)

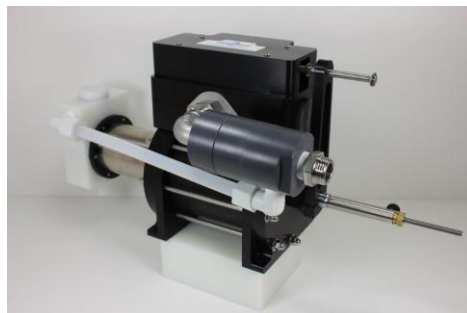
Support Documents:

- Schematic Print
- Operating Manual
- Installation Instructions (VM or HM)
- Dimensional Print

Recommended Accessories:

- Water Pressure Regulator
- Water Filter
- Mixing Chamber
- Backflow Preventer
- Rebuild Kit
- NPT Inlet/Outlet Adapters
- Anti-Siphon Kit

HYDRO-MIX -ML



Model #: HV6004

Inlet/Outlet Connections:	3/4" Garden Hose (Inlet & Outlet)
Weight:	25lbs / 11kg
Pump Dimensions:	23" x 10" x 11" / 58cm x 25cm x 28cm
Shipping Box Dimensions:	25" x 25" x 20" / 63cm x 63cm x 50cm
Max Output:	25 GPM / 94 LPM
Pressure Range:	10-75 psi / 0.6-5 bar
Max Dilution:	(0.44oz/gallon) 1:290 / 0.35%
Min Dilution:	1:2,900 / 0.03%
Alternative Pump Head Materials:	Acrylic, PVC, HDPE, Kynar/PVDF
Alternative Seal Combinations:	Viton, EPDM, PAA
Alternative Chemical Cylinders:	SST, Hastelloy
Mounting Options:	Vertical or Horizontal Mount
Included Accessories:	Mounting Feet, Suction Hose, SST Weighted Strainer, Operating Manual

Additional Options:

Hot Water Specific Delrin Machined Endplates (DMAC)

Support Documents:

- Schematic Print
- Operating Manual
- Installation Instructions (VM or HM)
- Dimensional Print

Recommended Accessories:

- Water Pressure Regulator
- Water Filter
- Mixing Chamber
- Backflow Preventer
- Rebuild Kit
- NPT Inlet/Outlet Adapters
- Anti-Siphon Kit

HYDRO-MIX -ML



Model #: HV6006

Inlet/Outlet Connections:	¾" Garden Hose (Inlet & Outlet)
Weight:	25lbs / 11kg
Pump Dimensions:	23" x 10" x 11" / 58cm x 25cm x 28cm
Shipping Box Dimensions:	25" x 25" x 20" / 63cm x 63cm x 50cm
Max Output:	25 GPM / 94 LPM
Pressure Range:	10-75 psi / 0.6-5 bar
Max Dilution:	(0.66oz/gallon) 1:190 / 0.50%
Min Dilution:	1:1,900 / 0.05%
Alternative Pump Head Materials:	Acrylic, PVC, HDPE, Kynar/PVDF
Alternative Seal Combinations:	Viton, EPDM, Teflon (TFE/TTE)
Alternative Chemical Cylinders:	SST, Hastelloy
Mounting Options:	Vertical or Horizontal Mount
Included Accessories:	Mounting Feet, Suction Hose, SST Weighted Strainer, Operating Manual

Additional Options:

Hot Water Specific Delrin Machined Endplates (DMAC)

Support Documents:

- Schematic Print
- Operating Manual
- Installation Instructions (VM or HM)
- Dimensional Print

Recommended Accessories:

- Water Pressure Regulator
- Water Filter
- Mixing Chamber
- Backflow Preventer
- Rebuild Kit
- NPT Inlet/Outlet Adapters
- Anti-Siphon Kit

HYDRO-MIX -ML



Model #: HV6008

Inlet/Outlet Connections:	¾" Garden Hose (Inlet & Outlet)
Weight:	25lbs / 11kg
Pump Dimensions:	23" x 10" x 11" / 58cm x 25cm x 28cm
Shipping Box Dimensions:	25" x 25" x 20" / 63cm x 63cm x 50cm
Max Output:	25 GPM / 94 LPM
Pressure Range:	10-75 psi / 0.6-5 bar
Max Dilution:	(0.88oz/gallon) 1:145 / 0.65%
Min Dilution:	1:1,400 / 0.06%
Alternative Pump Head Materials:	Acrylic, PVC, HDPE, Kynar/PVDF
Alternative Seal Combinations:	Viton, EPDM, Teflon (TFE/TTE)
Alternative Chemical Cylinders:	SST, Hastelloy
Mounting Options:	Vertical or Horizontal Mount
Included Accessories:	Mounting Feet, Suction Hose, SST Weighted Strainer, Operating Manual

Additional Options:

Hot Water Specific Delrin Machined Endplates (DMAC)

Support Documents:

- Schematic Print
- Operating Manual
- Installation Instructions (VM or HM)
- Dimensional Print

Recommended Accessories:

- Water Pressure Regulator
- Water Filter
- Mixing Chamber
- Backflow Preventer
- Rebuild Kit
- NPT Inlet/Outlet Adapters
- Anti-Siphon Kit

HYDRO-MIX -ML



Model #: HV6017

Inlet/Outlet Connections:	3/4" Garden Hose (Inlet & Outlet)
Weight:	27lbs / 12kg
Pump Dimensions:	24" x 10" x 11" / 61cm x 25cm x 28cm
Shipping Box Dimensions:	25" x 25" x 20" / 63cm x 63cm x 50cm
Max Output:	25 GPM / 94 LPM
Pressure Range:	10-75 psi / 0.6-5 bar
Max Dilution:	(1.70oz/gallon) 1:75 / 1.30%
Min Dilution:	1:750 / 0.13%
Alternative Pump Head Materials:	Acrylic, PVC, HDPE, Kynar/PVDF
Alternative Seal Combinations:	Viton, EPDM, Teflon (TFE/TTE)
Alternative Chemical Cylinders:	SST, Hastelloy
Mounting Options:	Vertical or Horizontal Mount
Included Accessories:	Mounting Feet, Suction Hose, SST Foot Valve, Operating Manual

Additional Options:

Hot Water Specific Delrin Machined Endplates (DMAC)

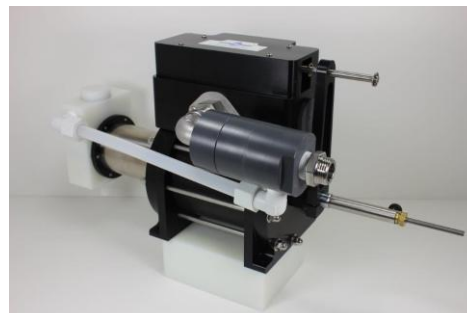
Support Documents:

- Schematic Print
- Operating Manual
- Installation Instructions (VM or HM)
- Dimensional Print

Recommended Accessories:

- Water Pressure Regulator
- Water Filter
- Mixing Chamber
- Backflow Preventer
- Rebuild Kit
- NPT Inlet/Outlet Adapters
- Anti-Siphon Kit

HYDRO-MIX -ML



Model #: HV6035

Inlet/Outlet Connections:	3/4" Garden Hose (Inlet & Outlet)
Weight:	27lbs / 12kg
Pump Dimensions:	24" x 10" x 11" / 61cm x 25cm x 28cm
Shipping Box Dimensions:	25" x 25" x 20" / 63cm x 63cm x 50cm
Max Output:	25 GPM / 94 LPM
Pressure Range:	10-75 psi / 0.6-5 bar
Max Dilution:	(3.5oz/gallon) 1:36 / 2.70%
Min Dilution:	1:360 / 0.25%
Alternative Pump Head Materials:	Acrylic, PVC, HDPE, Kynar/PVDF
Alternative Seal Combinations:	Viton, EPDM, Teflon (TFE/TTE)
Alternative Chemical Cylinders:	SST, Hastelloy
Mounting Options:	Vertical or Horizontal Mount
Included Accessories:	Mounting Feet, Suction Hose, SST Foot Valve, Operating Manual

Additional Options:

Hot Water Specific Delrin Machined Endplates (DMAC)

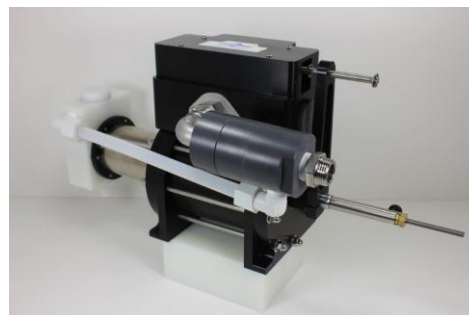
Support Documents:

- Schematic Print
- Operating Manual
- Installation Instructions (VM or HM)
- Dimensional Print

Recommended Accessories:

- Water Pressure Regulator
- Water Filter
- Mixing Chamber
- Backflow Preventer
- Rebuild Kit
- NPT Inlet/Outlet Adapters
- Anti-Siphon Kit

HYDRO-MIX -ML



Model #: HV6050

Inlet/Outlet Connections:	¾" Garden Hose (Inlet & Outlet)
Weight:	28lbs / 12kg
Pump Dimensions:	24" x 10" x 11" / 61cm x 25cm x 28cm
Shipping Box Dimensions:	25" x 25" x 20" / 63cm x 63cm x 50cm
Max Output:	25 GPM / 94 LPM
Pressure Range:	10-75 psi / 0.6-5 bar
Max Dilution:	(5oz/gallon) 1:26 / 3.70%
Min Dilution:	1:260 / 0.35%
Alternative Pump Head Materials:	Acrylic, PVC, HDPE, Kynar/PVDF
Alternative Seal Combinations:	Viton, EPDM, Teflon (TFE/TTE)
Alternative Chemical Cylinders:	SST, Hastelloy
Mounting Options:	Vertical or Horizontal Mount
Included Accessories:	Mounting Feet, Suction Hose, SST Tube Weight, Operating Manual

Additional Options:

Hot Water Specific Delrin Machined Endplates (DMAC)

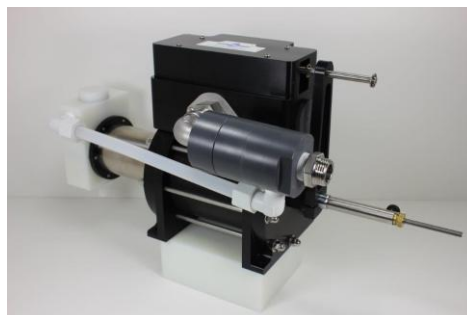
Support Documents:

- Schematic Print
- Operating Manual
- Installation Instructions (VM or HM)
- Dimensional Print

Recommended Accessories:

- Water Pressure Regulator
- Water Filter
- Mixing Chamber
- Backflow Preventer
- Rebuild Kit
- NPT Inlet/Outlet Adapters
- Anti-Siphon Kit

HYDRO-MIX -ML



Model #: HV6080

Inlet/Outlet Connections:	¾" Garden Hose (Inlet & Outlet)
Weight:	28lbs / 12kg
Pump Dimensions:	24" x 10" x 11" / 61cm x 25cm x 28cm
Shipping Box Dimensions:	25" x 25" x 20" / 63cm x 63cm x 50cm
Max Output:	25 GPM / 94 LPM
Pressure Range:	10-75 psi / 0.6-5 bar
Max Dilution:	(8oz/gallon) 1:16 / 5.80%
Min Dilution:	1:160 / 0.60%
Alternative Pump Head Materials:	Acrylic, PVC, HDPE, Kynar/PVDF
Alternative Seal Combinations:	Viton, EPDM
Alternative Chemical Cylinders:	SST, Hastelloy
Mounting Options:	Vertical or Horizontal Mount
Included Accessories:	Mounting Feet, Suction Hose, SST Tube Weight, Operating Manual

Additional Options:

Hot Water Specific Delrin Machined Endplates (DMAC)

Support Documents:

- Schematic Print
- Operating Manual
- Installation Instructions (VM or HM)
- Dimensional Print

Recommended Accessories:

- Water Pressure Regulator
- Water Filter
- Mixing Chamber
- Backflow Preventer
- Rebuild Kit
- NPT Inlet/Outlet Adapters
- Anti-Siphon Kit

HYDRO-MIX -ML



Model #: HV6090

Inlet/Outlet Connections:	3/4" Garden Hose (Inlet & Outlet)
Weight:	28lbs / 12kg
Pump Dimensions:	24" x 10" x 11" / 61cm x 25cm x 28cm
Shipping Box Dimensions:	25" x 25" x 20" / 63cm x 63cm x 50cm
Max Output:	25 GPM / 94 LPM
Pressure Range:	10-75 psi / 0.6-5 bar
Max Dilution:	(9oz/gallon) 1:14 / 6.70%
Min Dilution:	1:140 / 0.70%
Alternative Pump Head Materials:	Acrylic, PVC, HDPE, Kynar/PVDF
Alternative Seal Combinations:	Viton, EPDM, Teflon (TFE/TTE)
Alternative Chemical Cylinders:	SST, Hastelloy
Mounting Options:	Vertical or Horizontal Mount
Included Accessories:	Mounting Feet, Suction Hose, SST Tube Weight, Operating Manual

Additional Options:

Hot Water Specific Delrin Machined Endplates (DMAC)

Support Documents:

- Schematic Print
- Operating Manual
- Installation Instructions (VM or HM)
- Dimensional Print

Recommended Accessories:

- Water Pressure Regulator
- Water Filter
- Mixing Chamber
- Backflow Preventer
- Rebuild Kit
- NPT Inlet/Outlet Adapters
- Anti-Siphon Kit

HYDRO-MIX -ML



Model #: HV6140

Inlet/Outlet Connections:	3/4" Garden Hose (Inlet & Outlet)
Weight:	29lbs / 13kg
Pump Dimensions:	25" x 10" x 11" / 63cm x 25cm x 28cm
Shipping Box Dimensions:	25" x 25" x 20" / 63cm x 63cm x 50cm
Max Output:	25 GPM / 94 LPM
Pressure Range:	10-75 psi / 0.6-5 bar
Max Dilution:	(14oz/gallon) 1:9 / 10.00%
Min Dilution:	1:90 / 1.00%
Alternative Pump Head Materials:	Acrylic, PVC, HDPE, Kynar/PVDF
Alternative Seal Combinations:	Viton, EPDM, Teflon (TFE/TTE)
Alternative Chemical Cylinders:	SST, Hastelloy
Mounting Options:	Vertical or Horizontal Mount
Included Accessories:	Mounting Feet, Suction Hose, SST Tube Weight, Operating Manual

Additional Options:

Hot Water Specific Delrin Machined Endplates (DMAC)

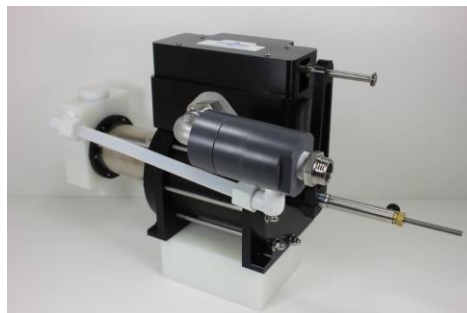
Support Documents:

- Schematic Print
- Operating Manual
- Installation Instructions (VM or HM)
- Dimensional Print

Recommended Accessories:

- Water Pressure Regulator
- Water Filter
- Mixing Chamber
- Backflow Preventer
- Rebuild Kit
- NPT Inlet/Outlet Adapters
- Anti-Siphon Kit

HYDRO-MIX -ML



Model #: HV6200

Inlet/Outlet Connections:	¾" Garden Hose (Inlet & Outlet)
Weight:	30lbs / 13kg
Pump Dimensions:	25" x 10" x 11" / 63cm x 25cm x 28cm
Shipping Box Dimensions:	25" x 25" x 20" / 63cm x 63cm x 50cm
Max Output:	25 GPM / 94 LPM
Pressure Range:	10-75 psi / 0.6-5 bar
Max Dilution:	(20oz/gallon) 1:6 / 13.50%
Min Dilution:	1:60 / 1.60%
Alternative Pump Head Materials:	Acrylic, PVC, HDPE, Kynar/PVDF
Alternative Seal Combinations:	Viton, EPDM, Teflon (TFE/TTE)
Alternative Chemical Cylinders:	SST, Hastelloy
Mounting Options:	Vertical or Horizontal Mount
Included Accessories:	Mounting Feet, Suction Hose, SST Tube Weight, Operating Manual

Additional Options:

Hot Water Specific Delrin Machined Endplates (DMAC)

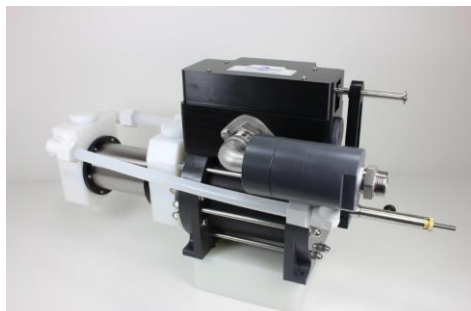
Support Documents:

- Schematic Print
- Operating Manual
- Installation Instructions (VM or HM)
- Dimensional Print

Recommended Accessories:

- Water Pressure Regulator
- Water Filter
- Mixing Chamber
- Backflow Preventer
- Rebuild Kit
- NPT Inlet/Outlet Adapters
- Anti-Siphon Kit

HYDRO-MIX -ML



Model #: HV6360

Inlet/Outlet Connections:	¾" Garden Hose (Inlet & Outlet)
Weight:	36lbs / 16kg
Pump Dimensions:	28" x 10" x 11" / 69cm x 25cm x 28cm
Shipping Box Dimensions:	25" x 25" x 20" / 63cm x 63cm x 50cm
Max Output:	25 GPM / 94 LPM
Pressure Range:	10-75 psi / 0.6-5 bar
Max Dilution:	(54oz/gallon) 1:3 / 26.80%
Min Dilution:	1:30 / 3.20%
Alternative Pump Head Materials:	Acrylic, PVC, HDPE, Kynar/PVDF
Alternative Seal Combinations:	Viton, EPDM, Teflon (TFE/TTE)
Alternative Chemical Cylinders:	SST, Hastelloy
Mounting Options:	Vertical or Horizontal Mount
Included Accessories:	Mounting Feet, Suction Hose, Operating Manual

Additional Options:

Hot Water Specific Delrin Machined Endplates (DMAC)

Support Documents:

- Schematic Print
- Operating Manual
- Installation Instructions (VM or HM)
- Dimensional Print

Recommended Accessories:

- Water Pressure Regulator
- Water Filter
- Mixing Chamber
- Backflow Preventer
- Rebuild Kit
- NPT Inlet/Outlet Adapters
- Anti-Siphon Kit

HYDRO-MIX -ML

Dual & Triple Injection

In addition to our standard “Single Injection” proportioners, we also offer versatile “Dual” & “Triple” independently adjustable models for a variety of applications. Manufactured to our same exacting specifications, these units provide multiple unit capability in a single unit. This simplifies installation and is a very cost effective way to introduce multiple chemical injections.

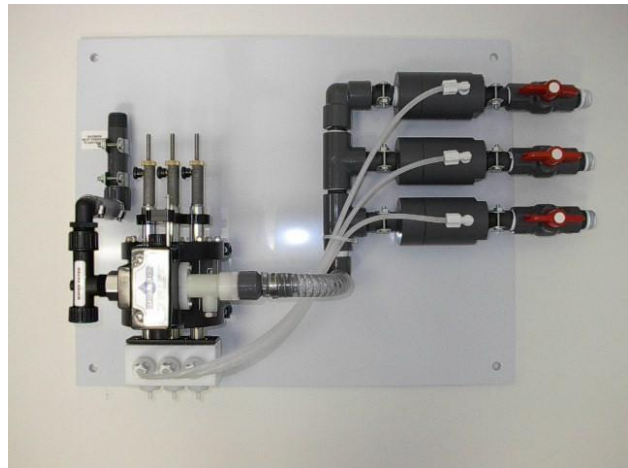
These units are commonly used for the following applications:

- Two Step Fountain Solution
- Chlorine Dioxide
- Vehicle Care

Please call our office to receive more information, and learn of ways one of these unique proportioners can assist in your chemical dispensing processes.



Two Step Fountain Solution



Car Wash Triple Injection

HYDRO-MIX -ML

Air Powered Proportioner

An innovative seal design and precision high tolerance components allows the Hydroblend *fluid* powered proportioner to be air driven.

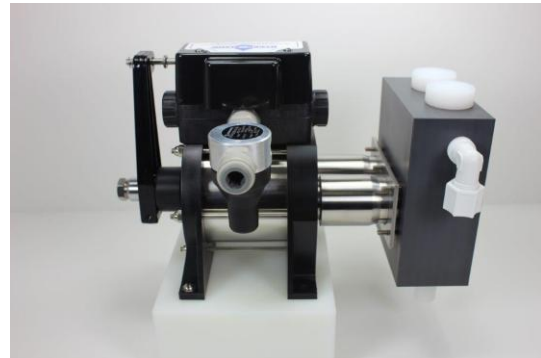
Heavy duty components and the ability to customize according to customer requirements assure a long and trouble-free pump life. Quality and reliability are never compromised.

Potential Applications:

- Accurate, reliable two product blending of either similar or dissimilar concentrate ratios.
- Fixed or Variable proportions
- Activator & Base Sanitizers
- Chlorine Dioxide

Advantages:

- Non electrical
- Single and Dual chemical dispensing
- Fixed or Variable concentrate capacity
- Trouble free intermittent stall dispensing

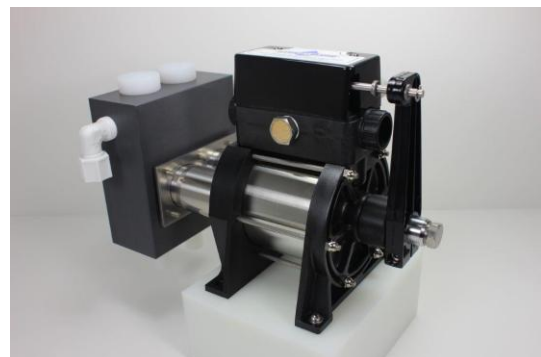


Recommended Models:

091-AIRFP6100-DI-PVC-V, HM

092- AIRFP6100-DI-PVC-V, HM

093- AIRFP6100-DI-PVC-V, HM



HYDRO-MIX -ML

Custom Systems

In addition to our diverse proportioner product line, we are pleased to custom design and build a system to meet your specific requirements. Whether you need to control access to the proportioner, or wish to make installation simple, choose from one of the following custom built board or cabinet systems.

Here are a few of the systems we currently offer:

Cabinet Systems

System # 0161: Food Processing Mixing System

7 GPM. Dual Injection. Mounted in an 18x18 lockable SST enclosure, and includes a pressure regulator with gauge, 3 way water diversion valve, tee water filter, mixing chamber, SST bulkhead fittings, SST compression fittings and complete with plumbing attachments, check valves, and a special 881 Outlet Fitting.

System # 0162 - Fountain Solution Mixing Station

Mounted in an 18x18 lockable SST enclosure, and includes a pressure regulator with gauge, tee water filter, mixing chamber, SST bulkhead fittings, complete plumbing with special 881 outlet fitting.

System # 0181:

Mounted in an 18x18 lockable SST enclosure, and includes a pressure regulator with no gauge, tee water filter, static mixer, SST bulkhead fittings and complete with plumbing attachments.

System # 030: Two Pump Fountain Solution Mixing System

7 GPM. Single Injection Dual Pump System Vertical Mount. Mounted in a 24x24 lockable SST enclosure with by-pass plumbing to run either single or dual injection. Mixing chamber, bulkhead fittings and complete with plumbing attachments.

System # 031: Drawing/Stamping Lubricants

7 GPM. Model # 6850 Hydroblend Proportioner mounted in a 21x21 lockable SST enclosure. Includes an on/off valve, water pressure regulator with gauge preset to 10 psi. Tee water filter, SST bulkhead fittings and complete with plumbing attachments.

HYDRO-MIX -ML

System # 032: Two Pump with By Pass

7 GPM Single Injection Dual Pump System. (2) 8 oz. Pumps - HDPE Pump Head - FS Seal Package, Vertical Mount. Mounted in a 24 x 30 SST Enclosure with By-Pass plumbing to run either proportioner, as well as bulkhead fittings and complete with plumbing attachments.

Board Systems

System # 056: 1:1 Dilution System

7 GPM Continuous Injection Dual Pump System - (1) 85 oz. Variable Pump, (1) 85 oz. Fixed Ratio Pump, Vertical Mount. Mounted on a poly board, including On/Off Valve, water pressure regulator and water T-Filter, complete with plumbing attachments.

This system is designed to run open to the atmosphere with a minimum 1.0 inch I.D. discharge line. Deviation from this set-up will restrict the pump's flow, causing the pump not to cycle correctly.

System # 057 - 1:1 Dilution Systems with By Pass

7 GPM Continuous Injection Dual Pump System - (1) 85 oz. Fixed Ratio Lube Style Pump, (1) 85 oz. Variable Pump, Vertical Mount. Mounted on a poly board, with bypass plumbing to run either single or dual injection. It also comes with a water pressure regulator, water T-Filter, and complete with plumbing attachments.

This system is designed to run open to the atmosphere with a minimum 1.0 inch I.D. discharge line. Deviation from this set-up will restrict the pump's flow, causing the pump not to cycle correctly.

System # 061: Teat Dip Mixing Station

7 GPM. 6.1 ounce/gallon Fixed Ratio, Dual Proportioner mounted on a poly board, with an on/off valve, water filter, SST shelf, mixing chamber, check valves and complete with plumbing attachments.

System # 065:

Vertically Mounted on a poly board, and includes a tee water filter, PVC remote/downstream injection check valve, remote injection cross, and complete with plumbing attachments.

HYDRO-MIX -ML

System # 065HV:

High Volume (25 GPM). Vertically mounted on a poly board with PVC remote/downstream injection check valve and complete with plumbing attachments.

System # 067: Silicone Mixing System

7 GPM Hydroblend Proportioner vertically mounted on a poly board, with a static mixer, mixing chamber, and complete with plumbing attachments.

System # 086 - Drawing/Stamping Lubricants

7 GPM. 6850 Hydroblend Proportioner mounted vertically on a poly board and includes an on/off valve, inline water pressure regulator with gauge preset to 15 psi, tee water filter, $\frac{3}{4}$ FNPT PVC union and complete with plumbing attachments.

System # 087 - Drawing/Stamping Lubricants

7 GPM. Mounted vertically on a poly board and includes an on/off valve, inline water pressure regulator with gauge preset to 15 psi, tee water filter, mixing chamber, $\frac{3}{4}$ FNPT PVC union and complete with plumbing attachments.

System # 091 - Air Powered Proportioner - Teat Dip

Air Driven, Fixed Ratio, Dual 10oz/gallon Hydroblend Proportioner horizontally mounted on a SST shelf, an on/off valve, preset pressure regulator, Kynar/PVDF check valves and complete with plumbing attachments and fittings.

System # 092 - Air Powered Proportioner – Teat Dip

Air Driven, Fixed Ratio, Dual 10oz/gallon Hydroblend Proportioner horizontally mounted on a poly board with an anodized aluminum shelf, on/off valve, preset pressure regulator, Kynar/PVDF check valves and complete with plumbing attachments and fittings.

System # 093 - Air Powered Proportioner – Teat Dip

Air Driven, Fixed Ratio, Dual 10oz/gallon Hydroblend Proportioner horizontally mounted with preset pressure regulator and fittings.

System # IS3: Conveyor Lubricant Mixing Station

7 GPM. Horizontal Mount. Mounted on a SST shelf 12x11x13 long with water filter, 4/40 GPH-70 psi flow meter, complete with 3/8" NPT plumbing attachments and fittings.

HYDRO-MIX -ML

System # LS1: Conveyor Lubricant Mixing Station

7 GPM. Horizontal Mount. Mounted on a SST shelf 12x12x20 long with water filter, pressure regulator with gauge, mixing chamber, and complete with 3/8" NPT plumbing attachments and fittings.

Don't see what you are looking for. Call our Customer Service department to speak with someone about a "custom" system.



System # 086



System # 0162

HYDRO-MIX -ML

Hot Water Applications

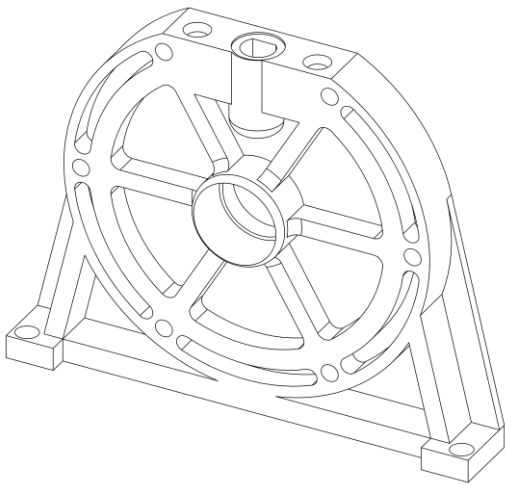
Hot water? No problem! Hydroblend has the solution.

Increasingly our customers requested a hot water compatible proportioner. Because of our design and manufacturing flexibility we have been able to accommodate their request.

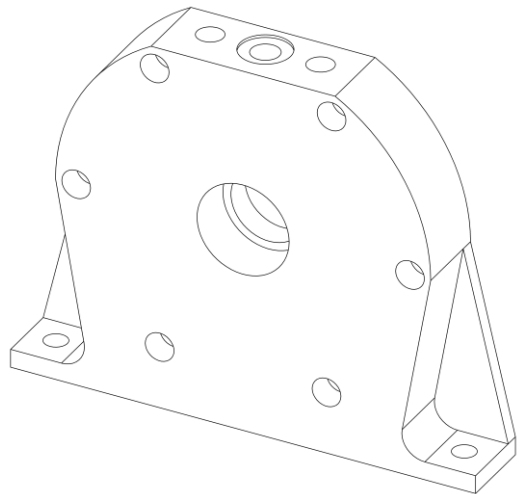
The solution was a combination of precision all stainless steel mechanical components and a proprietary high temperature Acetyl housing.

These units are currently used with Peracetic Acid and Lactic Acid. The aggressive nature of these chemistries requires chemically impervious plastics and elastomers. Again, not a problem.

Please call our Customer Service department with your dilution and chemical resistance requirements.



Standard Molded Endplate



Hot Water Specific Endplate

HYDRO-MIX -ML

Viscous Chemicals

Hydro ml International Corporation offers a comprehensive line of proportioners to accurately dilute the numerous metal forming and stamping compounds. Low dilution, high viscosity products present a unique challenge. The proportioner must be designed to accurately deliver a high volume of chemical concentrate and minimize the potential effect of the concentrate friction loss.

We offer a variety of configurations and can achieve a dilution as rich as 1:1. The proportioners are available as a single unit or incorporated with the additional components pictured below.

Because of the viscosity and flow characteristics of the numerous concentrates, a chemical test of any product we have not previously evaluated is required. However, we have successfully tested multiple concentrates from all the leading manufactures and most probably a product evaluation will be unnecessary.

Please contact our Customer Service department for a recommendation.

Recommended Models:

086-6850-A-V,VM

Dilution Range: 1:1.5 – 1:15

087-6470-A-V,VM

Dilution Range: 1:3 – 1:30

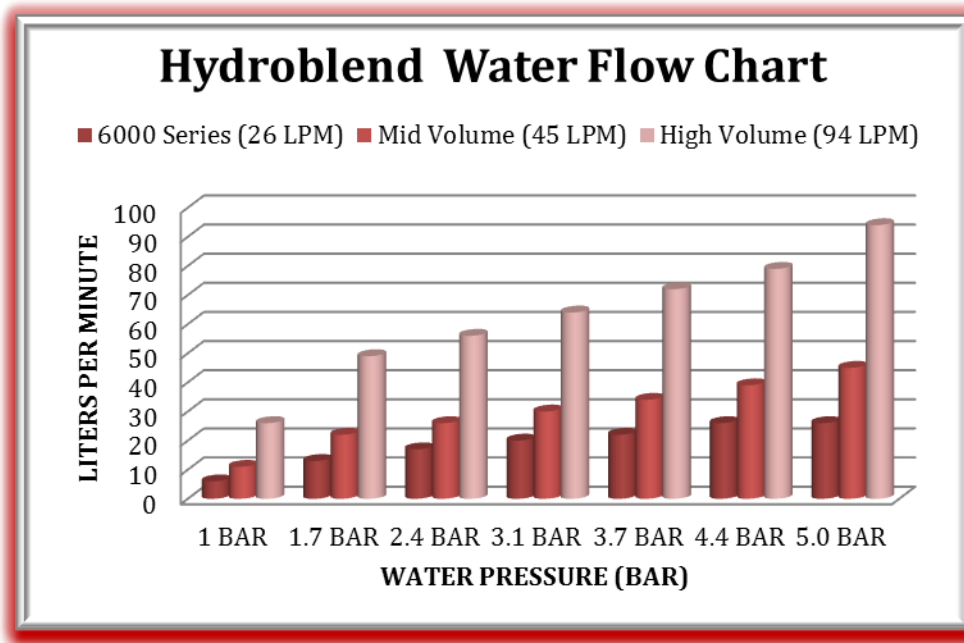
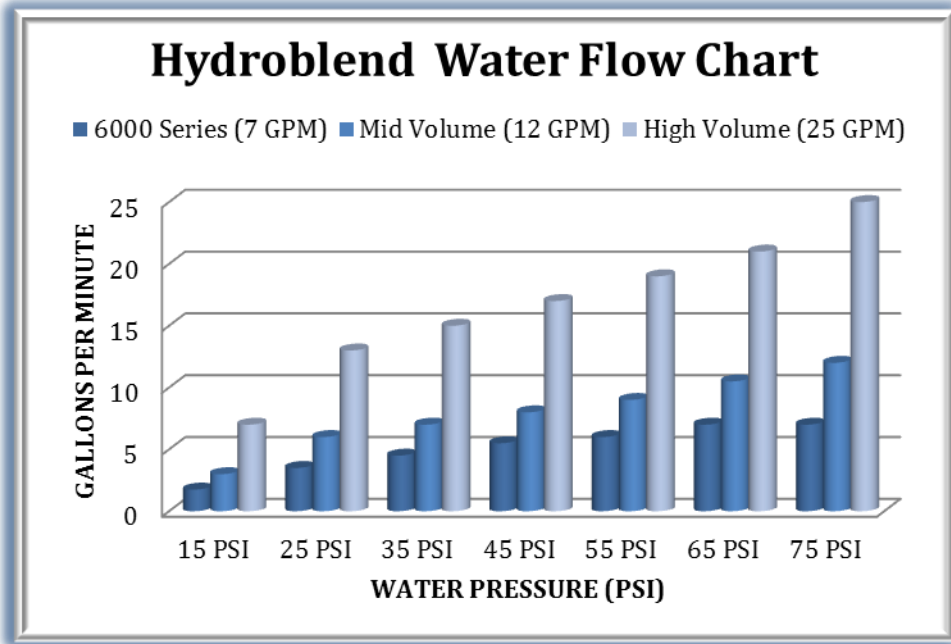
057-FL6850/6850-A-V,VM

Dilution Range 1:1 – 1:15



HYDRO-MIX -ML

Hydro-MIX-ML Flow Rates



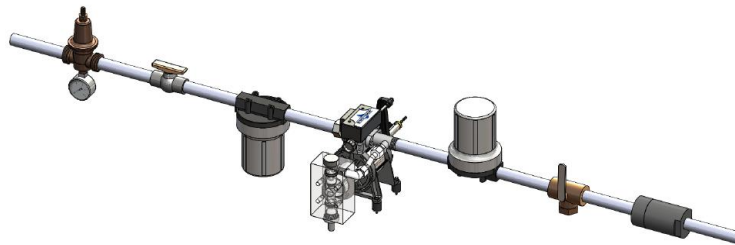
HYDRO-MIX -ML

Installation Tips

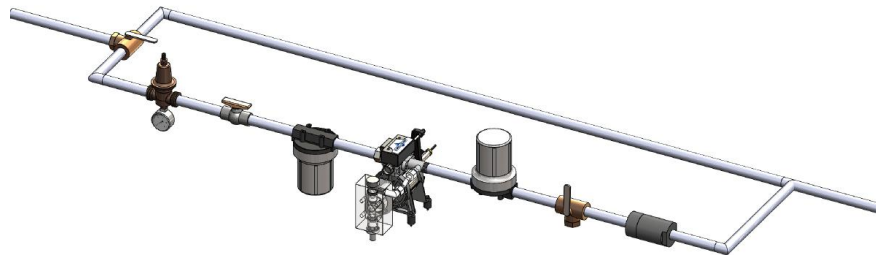
The Hydro mix Proportioner is water powered and can therefore be located near an isolated water source without electrical connections. Installation is simple, straightforward and takes very little time.

Below are some simple installation setups:

Basic Installation:



By-Pass Installation:



Parallel Installation:

